

# 4MP Vandal-resistant IR Fixed Mini Dome Camera

## CC-214R-MPSVD



### Key Features

#### Optics

- Day/night functionality
- SmartIR, up to 15 m (49 ft) IR distance
- 2D/3D DNR (Digital Noise Reduction)
- Up to 120 dB OpticalWDR(Wide Dynamic Range)

#### Compression

- Ultra 265,H.265, H.264, MJPEG
- Embedded smart algorithm
- Triple streams
- ROI (Region of Interest)

#### Network

- ONVIF Conformance

#### Structure

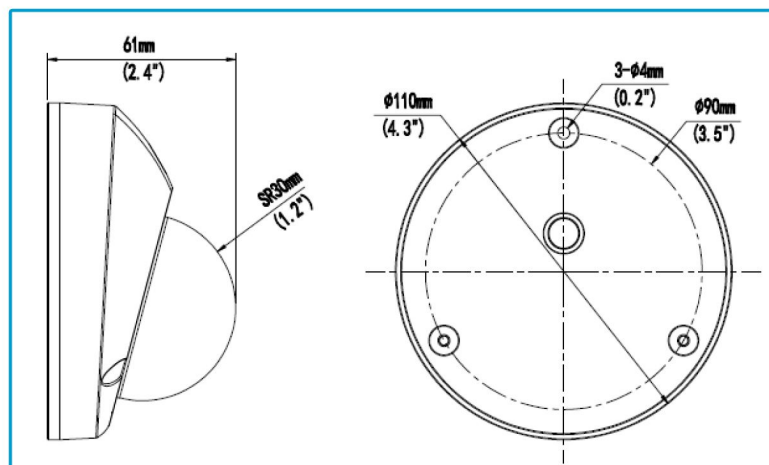
- Wide temperature range: -35°C to 60°C (-31°F to 140°F)
- Wide voltage range of  $\pm 25\%$
- Built-in microphone
- IK10 vandal resistant
- IP66

## Specifications

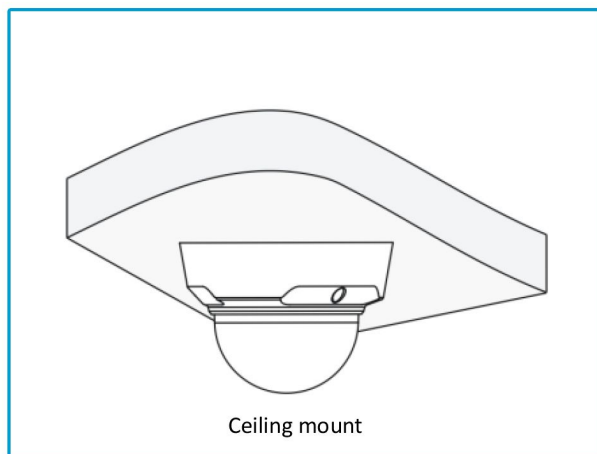
	CC-214R-MPSVD28	CC-214R-MPSVD36			
<b>Camera</b>					
Sensor	1/3", progressive scan, 4.0 megapixel, CMOS				
Lens	2.8mm@F2.0		3.6 mm@F2.0		
DORI Distance	Lens	Detect(m)	Observe(m)	Recognize(m)	Identify(m)
	2.8mm	63	25.2	12.6	6.3
	3.6mm	81	32.4	16.2	8.1
Angle of View (H)	104.4°		86.4°		
Angle of View (V)	67°		53.2°		
Angle of View (O)	135.7°		112.3°		
Adjustment angle	Pan: 0°~360°		Tilt: 0°~90°		Rotate: 0°~360°
Shutter	Auto/Manual, 1/6~1/100000 s				
Minimum Illumination	Colour: 0.03 Lux (F2.0, AGC ON) 0 Lux with IR				
Day/Night	IR-cut filter with auto switch (ICR)				
Digital noise reduction	2D/3D DNR				
S/N	≥55 dB				
IR Range	Up to 15m (49 ft) IR range				
Defog	Digital Defog				
WDR	120dB				
<b>Video</b>					
Video Compression	Ultra 265, H.265, H.264, MJPEG				
H.264 code profile	Baseline profile, Main Profile, High Profile				
Frame Rate	Main Stream: 4MP (2592×1520): Max. 20 fps, 4MP (2560×1440): Max. 25 fps, 3MP (2048×1520): Max. 30 fps; Sub Stream: 2MP (1920×1080): Max. 30 fps; Third Stream: D1(720×576) : Max. 30fps				
HLC	Supported				
BLC	Supported				
9:16 Corridor Mode	Supported				
OSD	Up to 8 OSDs				
Privacy Mask	Up to 8 areas				
ROI	Up to 8 areas				
Motion Detection	Up to 4 areas				
<b>Smart</b>					
Behavior Detection	Intrusion, cross line, motion detection				
Intrusion	Enter and loiter in a pre-defined virtual region				
cross line	Cross a pre-defined virtual line				
motion detection	Moving within a pre-defined virtual region				
Recognition:	Face detection、Audio detection				
Intelligent Identification	Defocus, Scene Change				
Statistical Analysis	People counting				
General Function	Watermark, IP Address Filtering, Tampering Alarm, Access Policy, ARP Protection, RTSP Authentication, User Authentication				

Audio	
Audio Compression	G.711
Suppression	Supported
Suppression	Supported
Sampling Rate	8 KHZ
Storage	
Edge Storage	Micro SD, Up to 128 GB
Network Storage	ANR
Network	
Protocols	IPv4, IGMP, ICMP, ARP, TCP, UDP, DHCP, PPPoE, RTP, RTSP, RTCP, DNS, DDNS, NTP, FTP, UPnP, HTTP, HTTPS, SMTP, 802.1x, SNMP, SSL, TLS
Compatible Integration	ONVIF(Profile S, Profile G), API
Interface	
Audio I/O	Audio cable
	Input: impedance 35 k $\Omega$ ; amplitude 2 V [p-p]
	Output: impedance 600 $\Omega$ ; amplitude 2 V [p-p]
Built-in Mic	Supported
Network	1 RJ45 10M/100M Base-TX Ethernet
General	
Power	12 V DC $\pm$ 25%, PoE (IEEE 802.3af)
	Power consumption:Max 5W
Dimensions ( $\varnothing$ x H)	$\varnothing$ 110 x 61 mm ( $\varnothing$ 4.3" x 2.4")
Weight	0.25 kg (0.55 lb)
Working Environment	-35°C ~ +60°C (-31°F ~ 140°F), Humidity:10%~95% RH(non-condensing)
Ingress Protection	IP66
Vandal Resistant	IK10

## Dimensions



## Installation



## Accessories

Installation mode	Accessories	Description
Ceiling mount	Mounting pedestal is included in the Product package	\