

2MP LightHunter Active Deterrence Network PTZ Dome Camera

CC-PZ263-AWL4CS-P



Key Features



Optics

- LightHunter illumination
- Day/night functionality
- Up to 50 m (164 ft) IR and 10m (33 ft) warm light distance
- Up to 120 dB Optical WDR(Wide Dynamic Range)
- Optical glass window with higher light transmittance
- IR anti-reflection window to increase the infrared transmittance
- 2D/3D DNR (Digital Noise Reduction)

Compression

- Ultra 265,H.265, H.264, MJPEG
- Built-in microphone & speaker
- Alarm Light
- Triple streams
- ROI (Region of Interest)

Network

- ONVIF Conformance

Structure

- Support PoE power supply
- Wide temperature range: -20°C ~ 60°C (-4°F to 140°F)
- Wide voltage range of ±25%
- IP66

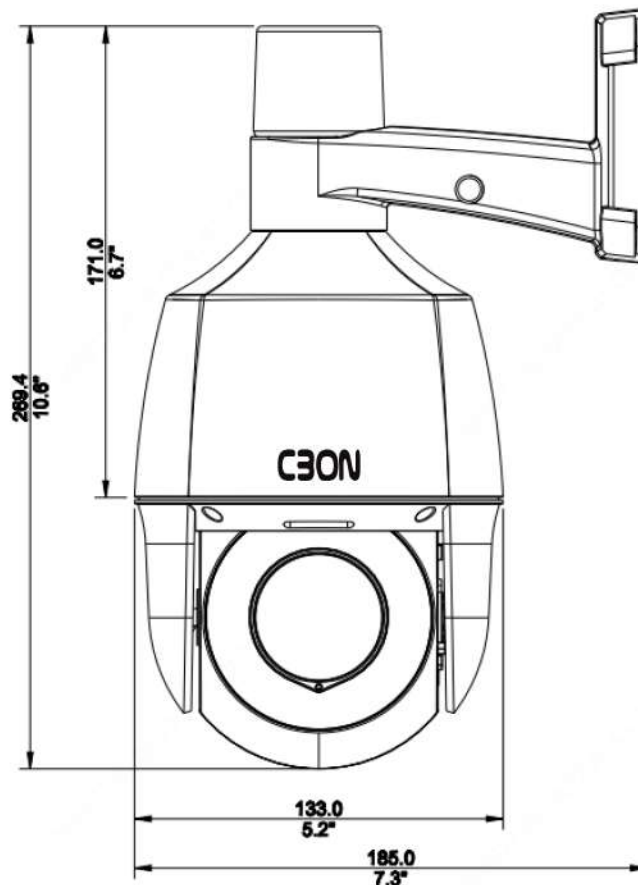
Specifications

| CC-PZ263-AWL4CS-P | | | | | |
|-------------------------|---|-----------|------------|--------------|-------------|
| Camera | | | | | |
| Sensor | 1/2.8" progressive scan, 2.0 megapixel, CMOS | | | | |
| Lens | 2.8~12mm, AF automatic focusing and motorized zoom lens | | | | |
| DORI Distance | Lens | Detect(m) | Observe(m) | Recognize(m) | Identify(m) |
| | 2.8mm | 43.4 | 17.4 | 8.7 | 4.3 |
| | 12mm | 186.2 | 74.5 | 37.2 | 18.6 |
| Angle of View (H) | 32.5°~95.7° | | | | |
| Angle of View (V) | 18.4°~52.2° | | | | |
| Angle of View (O) | 36.9°~100.8° | | | | |
| Shutter | Auto/Manual, shutter time: 1 s ~ 1/100000 s | | | | |
| Minimum Illumination | Colour:0.001 lux (F1.6,AGC ON) 0 lux with IR | | | | |
| Day/Night | IR-cut filter with auto switch (ICR) | | | | |
| Digital noise reduction | 2D/3D DNR | | | | |
| S/N | >52 dB | | | | |
| IR Range | UP to 50m (164ft) | | | | |
| Wavelength | 850nm | | | | |
| IR On/Off Control | Auto/Manual | | | | |
| Warm Light Range | UP to 10m (33ft) | | | | |
| WDR | 120dB | | | | |
| Video | | | | | |
| Video Compression | Ultra 265,H.265, H.264, MJPEG | | | | |
| H.264 code profile | Baseline profile, Main Profile | | | | |
| Frame Rate | Main Stream:1080P (1920*1080):Max. 30 fps; 720P (1280×720):Max. 30 fps; Sub Stream: 720P (1280×720):Max. 30 fps; Third Stream: CIF (352*288): Max. 30 fps | | | | |
| Video Bit Rate | 128 Kbps~16 Mbps | | | | |
| OSD | Up to 8 OSDs | | | | |

| | |
|-------------------------|---|
| Privacy Mask | Up to 8 areas |
| ROI | Up to 8 areas |
| Motion Detection | Up to 4 areas |
| Image | |
| White Balance | Auto/Outdoor/Fine Tune/Sodium Lamp/Locked/Auto2 |
| Digital noise reduction | 2D/3D DNR |
| Smart IR | Support |
| Flip | Normal/Vertical/Horizontal/180° |
| Dewarping | Support |
| HLC | Supported |
| BLC | Supported |
| Audio | |
| Audio Compression | G.711 |
| Suppression | Supported |
| Sampling Rate | 8 KHZ |
| Storage | |
| Edge Storage | Micro SD, up to 128 GB |
| Network Storage | ANR, NAS(NFS) |
| Network | |
| Protocols | IPv4, IGMP, ICMP, ARP, TCP, UDP, DHCP , PPPoE, RTP, RTSP, RTCP, DNS, DDNS, NTP, FTP, UPnP, HTTP, HTTPS, SMTP , 802.1x , SNMP, SSL |
| Compatible Integration | ONVIF(Profile S, Profile G, Profile T), API |
| Client | CBONStation CBONView |
| Web Browser | Plug-in required live view: IE9+, Chrome 41 and below, Firefox 52 and below |
| | Plug-in free live view: Chrome 57.0+, Firefox 58.0+, Edge 16+, Safari 11+ |
| Pan & Tilt | |
| Pan Range | 345° |
| Pan Speed | 0.1° /s ~ 50° /s |
| | Preset speed: 50° /s |
| Tilt Range | 90° |
| Tilt Speed | 0.1° ~ 40° /s |
| | Preset speed: 40° /s |
| Number of Presets | 256 |
| Patrol | Preset patrol, Route patrol |
| Interface | |
| Network | 1 RJ45 10M/100M Base-TX Ethernet |
| Built-in Mic | Supported |
| Built-in Speaker | Supported |
| Alarm Light | Supported |
| Certifications | |
| Certifications | CE: EN 60950-1 UL: UL60950-1 FCC: FCC Part 15 |

| General | |
|--------------------------|---|
| Power | DC 12V \pm 25%, PoE (IEEE802.3 at) |
| | Power consumption: Max 16 W |
| Dimensions (Φ x H) | Φ 133mm*269.4mm (Φ 5.2" x 10.6") |
| Net Weight | 0.87 kg (1.92lb) |
| Gross Weight | 1.13 kg (2.49lb) |
| Material | Metal + Plastic |
| Working Environment | -20°C ~ 60°C (-4°F to 140°F), Humidity: \leq 95% RH(non-condensing) |
| Storage Environment | -20°C ~ 60°C (-4°F to 140°F), Humidity: \leq 95% RH(non-condensing) |
| Surge Protection | 4KV |
| Ingress Protection | IP66 |
| Reset Button | Supported |

Dimensions



Accessories

TR-JB07-D-IN

TR-UP06-B-IN

TR-UP06-C-IN

TR-A01-IN

