

4MP 40X Lighthunter IR Network PTZ Dome Camera

CC-PZ468-AWL40CS-LSG



Key Features



- High quality image with 4MP,1/1.8" CMOS sensor
- 2688*1520@30fps in the main stream
- Ultra 265, H.265, H.264, MJPEG
- 40X Optical Zoom
- Smart intrusion prevention, support false alarm filtering, include Cross Line, Intrusion, Enter Area, Leave Area detection
- Face capture, automatic selection of best snapshots, support face detection masked area
- People Counting, support people flow counting and crowd density monitoring, suitable for different statistical scenarios
- Lighthunter technology ensures ultra-high image quality in low illumination environment
- Smart IR, up to 250m (820ft) IR distance
- Support SFP optical interface, support serial connection of optical and electrical interface
- AC 24V ±25%, DC 24V±25%
- Alarm 7 in and 2 out, Audio 1 in and 1 out

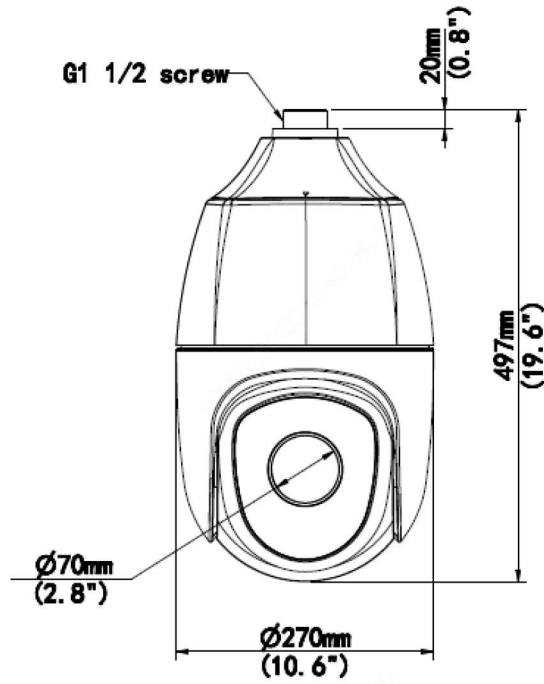
Specifications

| | | | | | |
|-------------------------|--|-------------------|------------------|-----------------|-----------------|
| CC-PZ468-AWL40CS-LSG | | | | | |
| Camera | | | | | |
| Sensor | 1/1.8", 4.0 megapixel, progressive scan, CMOS | | | | |
| Minimum Illumination | Colour: 0.0005Lux (F1.2, AGC ON) 0Lux with IR | | | | |
| Day/Night | IR-cut filter with auto switch (ICR) | | | | |
| Shutter | Auto/Manual, 1 ~ 1/100000s | | | | |
| WDR | 120dB | | | | |
| S/N | >56dB | | | | |
| Lens | | | | | |
| Lens type | 5.7 ~ 228mm, AF automatic focusing and motorized zoom lens | | | | |
| Digital Zoom | 16 | | | | |
| Optical Zoom | 40 | | | | |
| Iris | Auto; F1.2 ~ F4.6 | | | | |
| Field of View (H) | 59.5° ~ 2.2° | | | | |
| Field of View (V) | 35.6° ~ 1.2° | | | | |
| Field of View (D) | 73.1° ~ 2.6° | | | | |
| DORI | | | | | |
| DORI Distance | Lens (mm) | Detect (m) | Observe (m) | Recognize (m) | Identify (m) |
| | 5.7 | 107.2(351.8ft) | 42.9(140.7ft) | 21.4(70.4ft) | 10.7(35.2ft) |
| | 228 | 3330.6(10927.2ft) | 1332.2(4370.9ft) | 666.1(2185.4ft) | 333.1(1092.7ft) |
| Illuminator | | | | | |
| IR Range | Up to 250m (820 ft) IR range | | | | |
| Wavelength | 850nm | | | | |
| IR On/Off Control | Auto/Manual | | | | |
| Video | | | | | |
| Video Compression | Ultra 265, H.265, H.264, MJPEG | | | | |
| Frame Rate | Main Stream: 4MP (2688*1520), Max 30fps; Sub Stream: 2MP (1920*1080), Max 30fps; Third Stream: D1 (720*576), Max 30fps | | | | |
| Video Bit Rate | 128 Kbps~16 Mbps | | | | |
| U-code | Support | | | | |
| ROI | Up to 8 areas | | | | |
| Video stream | Triple streams | | | | |
| OSD | Up to 8 OSDs | | | | |
| Privacy Mask | 24 areas, up to 4 areas per scene | | | | |
| Image | | | | | |
| White Balance | Auto/Outdoor/Fine Tune/Sodium Lamp/Locked/Auto2 | | | | |
| Digital noise reduction | 2D/3D DNR | | | | |
| Flip | Normal/Flip Vertical/Flip Horizontal/180°/90°Clockwise/90°Anti-clockwise | | | | |
| EIS | Support | | | | |
| HLC | Support | | | | |

| | |
|----------------------------|--|
| BLC | Support |
| Defog | Optical Defog & Digital Defog |
| Intelligent | |
| Smart Intrusion Prevention | Support false alarm filtering: Cross Line detection, Intrusion detection, Enter Area detection, Leave Area detection |
| Face Capture | Support; Face attributes: Gender, Age range, Glasses, Mask |
| People Counting | Support people flow counting and crowd density monitoring |
| Events | |
| Basic Detection | Motion detection, Audio detection, Tampering Alarm; |
| Auto Tracking | Support |
| General Function | Watermark, IP Address Filtering, Alarm input, Alarm output, Access Policy, ARP Protection, RTSP Authentication, User Authentication |
| Audio | |
| Audio Compression | G.711U,G.711A |
| Audio Bitrate | 64 Kbps |
| Two-way audio | Support |
| Suppression | Support |
| Sampling Rate | 8 kHz |
| Storage | |
| Edge Storage | Micro SD, up to 256GB |
| Network Storage | ANR,NAS(NFS) |
| Network | |
| Protocols | IPv4, IGMP, ICMP, ARP, TCP, UDP, DHCP, PPPoE, RTP, RTSP, RTCP, DNS, DDNS, NTP, FTP, UPnP, HTTP, HTTPS, SMTP, 802.1x, SNMP, QoS, RTMP, SSL/TLS |
| Compatible Integration | ONVIF (Profile S, Profile G, Profile T), API, SDK |
| User/Host | Up to 32 users. 3 user levels: administrator, operator and common user |
| Security | Password protection, strong password, HTTPS encryption, Export operation logs, basic and digest authentication for RTSP, digest authentication for HTTP, TLS 1.2, WSSE and digest authentication for ONVIF |
| Client | CBONStation CBONView |
| Web Browser | Plug-in required live view: IE 10 and above, Chrome 45 and above, Firefox 52 and above, Edge 79 and above |
| Pan & Tilt | |
| Pan Range | 360° (endless) |
| Pan Speed | 0.1°/s ~ 180°/s |
| | Preset speed: 300°/s |
| Tilt Range | -15° ~ 90° (auto reverse) |
| Tilt Speed | 0.1°/s ~ 180°/s |
| | Preset speed: 240°/s |
| Number of Presets | 1024 |
| Preset Patrol | 16 patrols, up to 64 presets for each patrol |
| Route Patrol | 16 patrols, up to 32 actions for each patrol |
| Recorded Patrol | 16 patrols, up to 128 actions for each patrol |
| Patrol Stay Time | 15s~1800s |
| Preset Image Freeze | Support |


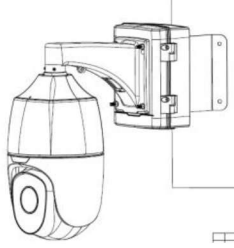
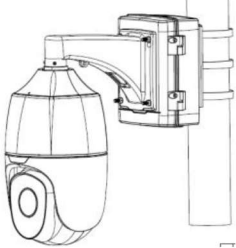
| | |
|----------------------|--|
| Home Position | Support |
| Interface | |
| Audio I/O | 1/1 |
| Alarm I/O | 7/2 |
| Serial Port | 1 RS485 |
| Built-in Mic | N/A |
| Built-in Speaker | N/A |
| WIFI | N/A |
| Network | 1*100M/1000M Base-FX SFP + 1*10M/100M Base-TX Ethernet |
| Video output | 1 BNC |
| Certification | |
| EMC | CE-EMC (EN 55032:2015+A11:2020; EN IEC 61000-3-2:2019; EN 61000-3-3:2013+A1:2019; EN 55035:2017+A11:2020) |
| Safety | CE LVD (EN 62368-1:2014+A11:2017) CB (IEC 62368-1:2014) UL (UL 62368-1, 2nd Ed., Issue Date: 2014-12-01) |
| Environment | CE-ROHS (2011/65/EU;(EU)2015/863) |
| Protection | IP66 (IEC 60529:1989+AMD1:1999+AMD2:2013) |
| General | |
| Power | AC 24V ±25%, DC 24V±25% |
| | Power consumption: Max 61W |
| Power Interface | Wires with cold-pressed terminal |
| Dimensions (Ø x H) | Φ270 x 497mm (Φ10.6" x 19.6") |
| Weight | 9.5kg(20.9lb) |
| Working Environment | -40°C ~ 70°C (-40°F ~ 158°F), Humidity: ≤95% RH (non-condensing) |
| Storage Environment | -40°C ~ 70°C (-40°F ~ 158°F), Humidity: ≤95% RH (non-condensing) |
| Surge Protection | 6KV |
| Reset Button | Support |

Dimensions



Accessories

| | | | | |
|---|---|---|--|---|
| TR-UF45-A-IN Pendent Mount | TR-SE45-A-IN Pendent Mount | TR-SE45-IN Pendent Mount | TR-CE45-IN Pendent Mount | TR-JB12-IN Junction Box |
|  |  |  |  |  |
| TR-WE45-A-IN Wall Mount | TR-WE45-B-IN Wall Mount | TR-UP08-A/B-IN Pole Mount | TR-UC08-A/B-IN Corner Mount | |
|  |  |  |  | |

| Pendent Mount | Wall Mount |
|--|--|
| <p>TR-UF45-A-IN + TR-SE45-A-IN/TR-SE45-IN; TR-CE45-IN;</p> | <p>TR-WE45-A-IN/TR-WE45-B-IN + TR-JB12-IN + TR-UC08-A/B-IN</p> |
|  |  |
| Pole Mount | / |
| <p>TR-WE45-A-IN/TR-WE45-B-IN + TR-JB12-IN + TR-UP08-A/B-IN</p> | <p>/</p> |
|  | <p>/</p> |