

8MP+8MP Lighthunter Dual-lens Network PTZ Camera

CC-PZ8879-AWF40L25CS-WLSG



Key Features



- Dual channels with one IP, look at overall situation and consider details at the same time
- Support dual-lens' video spliced in one channel, which can obtain a wider monitoring range
- Ultra 265, H.265, H.264, MJPEG
- Gyroscope stabilization for stable picture
- 25X optical zoom of PTZ channel allows for closer viewing of subjects
- Smart intrusion prevention, support false alarm filtering, include Cross Line, Intrusion, Enter Area, Leave Area detection
- Face capture, automatic selection of best snapshots, support face detection masked area
- People Counting, support people flow counting and crowd density monitoring, suitable for different statistical scenarios
- Support human body, human face, motor vehicle and non-motor vehicle image capture and attribute collection
- Lighthunter technology ensures ultra-high image quality in low illumination environment
- IR & warm light illumination to deal with different scenes and achieve full-color illumination
- AC 24V \pm 25% or DC 24V \pm 25% power supply

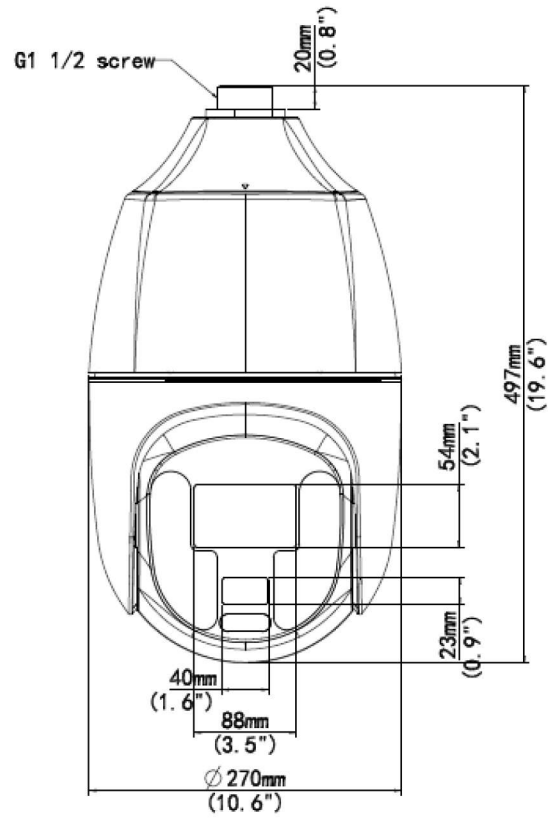
Specifications

CC-PZ8879-AWF40L25CS-WLSG					
Camera		Channel 1		Channel 2	
Sensor	1/1.8", 8MP, CMOS		1/1.2", 8MP, CMOS		
Min. Illumination	Colour:0.0005 lux (F1.0, AGC ON) 0 lux with Warm light		Colour:0.0005 lux (F1.6, AGC ON) 0 lux with IR		
Day/Night	N/A		IR-cut filter with auto switch (ICR)		
Shutter	Auto/Manual, 1 ~ 1/100000s				
WDR	120dB				
S/N	> 56dB				
Lens					
Lens type	4mm@F1.0		10~250mm@F1.6, AF automatic focusing and motorized zoom lens		
Digital Zoom	N/A		16X		
Optical Zoom	N/A		25X		
Iris	Fixed aperture		Auto; F1.6(W)~F5.4(T)		
Angle of View (H)	92.9°		58.3° ~ 3.0°		
Angle of View (V)	49.1°		34.8° ~ 1.7°		
Angle of View (O)	114.3°		71.7° ~ 3.6°		
DORI					
DORI Distance	Lens (mm)	Detect (m)	Observe (m)	Recognize (m)	Identify (m)
	4 (Panorama)	62.1 (203.6 ft)	24.8 (81.5 ft)	12.4 (40.7 ft)	6.2 (20.4 ft)
	10 (Detail)	222.8 (730.8 ft)	89.1 (292.3 ft)	44.6 (146.2 ft)	22.3 (73.1 ft)
	250 (Detail)	4882.5 (16018.7 ft)	1953.0 (6407.5 ft)	976.5 (3203.7 ft)	488.3 (1601.9 ft)
Illuminator					
IR Range	N/A		Up to 250m (820.2 ft)		
Warm Light Range	Up to 30m (98.4 ft)		N/A		
Wavelength	N/A		850nm (IR)		
Light On/Off Control	Auto/Manual				
Video					
Video Compression	Ultra 265, H.265, H.264, MJPEG				
Frame Rate	Main Stream: 8MP (3840*2160),Max 30fps Sub Stream: 1080P (1920*1080), Max 30fps Third Stream: D1 (720*576), Max 30fps				
Video Bit Rate	128 Kbps ~ 16 Mbps				
U-code	Support				
ROI	Up to 8 areas				
Video stream	Triple streams				
OSD	Up to 8 OSDs				
Privacy Mask	24 areas, up to 8 areas per scene				
Image					
White Balance	Auto/Outdoor/Fine Tune/Sodium Lamp/Locked/Auto2				
Digital noise reduction	2D/3D DNR				
Smart IR	Support				
Flip	Normal/Flip Vertical/Flip Horizontal/180°/90°Clockwise/90°Anti-clockwise				

EIS	Support	
HLC	Support	
BLC	Support	
Defog	Digital defog	Optical Defog & Digital Defog
Intelligent		
Smart Intrusion Prevention	Support false alarm filtering: Cross line detection, Intrusion detection, Enter area detection, Leave area detection	
Face Capture	Support. Face attributes: Gender, Age range, Glasses, Mask	
People Counting	Support people flow counting and crowd density monitoring	
Mixed-Traffic Detection	Support human body, human face, motor vehicle and non-motor vehicle image capture and attribute collection	
Events		
Basic Detection	Tampering detection, Motion detection, Audio detection	
Auto Tracking	Support	
General Function	Watermark, IP Address Filtering, Alarm input, Alarm output, Access Policy, ARP Protection, RTSP Authentication, User Authentication	
Audio		
Audio Compression	G.711U, G.711A	
Audio Bitrate	64 Kbps	
Two-way Audio	Support	
Suppression	Support	
Sampling Rate	8 kHz	
Storage		
Edge Storage	Micro SD, up to 256 GB	
Network Storage	ANR	
Network		
Protocols	IPv4, IGMP, ICMP, ARP, TCP, UDP, DHCP, PPPoE, RTP, RTSP, RTCP, DNS, DDNS, NTP, FTP, UPnP, HTTP, HTTPS, SMTP, 802.1x, SNMP, QoS, RTMP, SSL/TLS	
Compatible Integration	ONVIF (Profile S, Profile G, Profile T), API, SDK	
User/Host	Up to 32 users. 3 user levels: administrator, operator and common user	
Security	Password protection, strong password, HTTPS encryption, Export operation logs, basic and digest authentication for RTSP, digest authentication for HTTP, TLS 1.2, WSSE and digest authentication for ONVIF	
Client	CBONStation CBONView	
Web Browser	Plug-in free live view: Chrome 57.0 and above, Firefox 58.0 and above, Edge 16 and above, Safari 11 and above	
	Plug-in required live view: IE 10 and above, Chrome 45 and above, Firefox 52 and above, Edge 79 and above	
Pan & Tilt		
Pan Range	360°	
Pan Speed	0.1°/s ~ 180°/s	
	Preset speed: 300°/s	
Tilt Range	-15° ~ 90°	
Tilt Speed	0.1°/s ~ 180°/s	
	Preset speed: 240°/s	
Number of Presets	1024	
Preset Patrol	16 patrols, up to 64 presets for each patrol	
Route Patrol	16 patrols, up to 32 actions for each patrol	
Recorded Patrol	16 patrols, up to 128 actions for each patrol	

Patrol Stay Time	15s ~ 1800s	
Preset Image Freeze	Support	
Home Position	Support	
Interface		
Audio I/O	1/1	
Alarm I/O	7/2	
Serial Port	1 RS485	
Built-in Mic	N/A	
Built-in Speaker	N/A	
Wi-Fi	N/A	
Network	1*100M/1000M Base-FX SFP + 1*10M/100M/1000M Base-TX Ethernet	
Video Output	N/A	1 BNC
Certification		
EMC	CE-EMC (EN 55032: 2015+A1:2020,EN 61000-3-3: 2013+A1: 2019,EN IEC 61000-3-2: 2019+A1: 2021,EN 55035: 2017+A11:2020) FCC (FCC CFR 47 part15 B, ANSI C63.4-2014)	
Safety	CE LVD (EN 62368-1:2014+A11:2017) CB (IEC 62368-1:2014) UL (UL 62368-1, 2nd Ed., Issue Date: 2014-12-01)	
Environment	CE-RoHS (2011/65/EU;(EU)2015/863)	
Protection	IP66 (IEC 60529:1989+AMD1:1999+AMD2:2013)	
General		
Power	DC24V (±25%), AC24V (±25%)	
	Power consumption: MAX 63W	
Power Interface	Wires with cold-pressed terminal	
Dimensions (Ø x H)	Φ270 x 497mm (Φ10.6" x 19.6")	
Weight	10.08kg (22.2lb)	
Working Environment	-40°C ~ +70°C(-40°F ~ +158°F), Humidity: ≤95% RH (non-condensing)	
Storage Environment	-40°C ~ +70°C(-40°F ~ +158°F), Humidity: ≤95% RH (non-condensing)	
Surge protection	6KV	
Reset button	Support	

Dimensions



Accessories

TR-UF45-A-IN

Pendent Mount



TR-SE45-A-IN

Pendent Mount



TR-SE45-IN

Pendent Mount



TR-CE45-IN

Pendent Mount



TR-JB12-IN

Junction Box



TR-WE45-A-IN

Wall Mount



TR-WE45-B-IN

Wall Mount



TR-UP08-A/B-IN

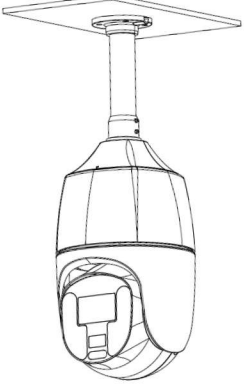
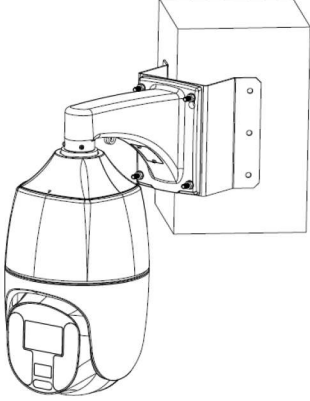
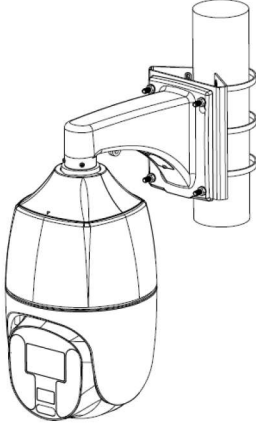
Pole Mount



TR-UC08-A/B-IN

Corner Mount



Pendent Mount	Wall Mount
<p>TR-UF45-A-IN + TR-SE45-A-IN/TR-SE45-IN; TR-CE45-IN;</p>	<p>TR-WE45-A-IN/TR-WE45-B-IN + TR-JB12-IN + TR-UC08-A/B-IN; TR-WE45-B-IN;</p>
	
Pole Mount	/
<p>TR-WE45-A-IN + TR-JB12-IN + TR-UP08-A/B-IN</p>	<p>/</p>
	<p>/</p>