

2MP Low Light IP PTZ Dome Cameras

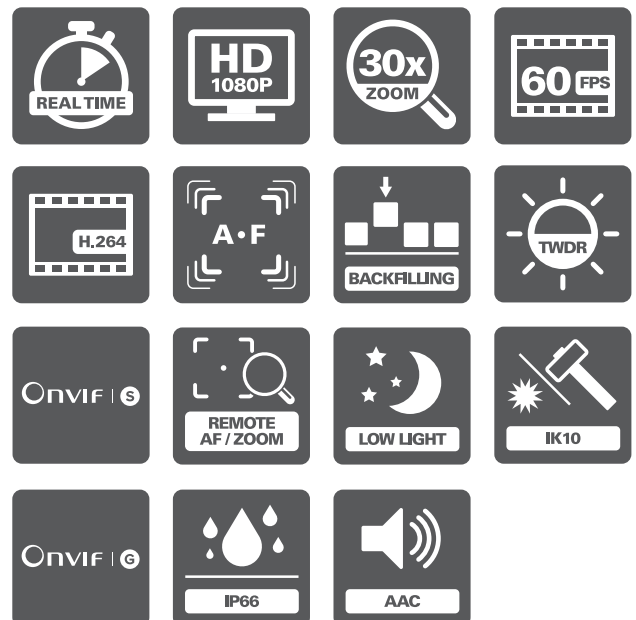
SY-PTZ30E-LLZ

The Synectics Low Light PTZ Cameras match great picture performance with the resilience of an external housing for all conditions.



The Synectics full real-time 2MP HD multi-stream pan tilt zoom dome IP cameras are equipped with a Sony Exmor™ progressive scan CMOS sensor providing outstanding video resolution.

The domes provide full 1080P HD 50/60fps streaming or true WDR at 25/30fps. Coupled with a 30x AF zoom lens, it is capable of viewing subjects over long distances with ease. This dome camera is the ideal choice for locations where multiple views are required in any environment.



Specifications

CAMERA		SY-PTZ30E-LLZ*1
Image Sensor		1/2.8" Sony Progressive CMOS
Effective Pixels		1920 (H) x 1080 (V)
Resolution		H.264/MJPEG - Full HD 1080P / SXGA / HD 720P / XGA / SVGA / D1 / VGA / CIF / QVGA
Min Illumination Color		0.02 Lux
Min Illumination B&W		0.005 Lux
Shutter Speed		1 ~ 1/10000 sec
LENS		
Lens Mount		N/A
Lens		30x AF / 4.4 ~ 132 mm
FOV		64.5° (Wide); 3.00° (Tele)
F Number		F 1.4 (Wide); F 4.7 (Tele)
P Iris		Y
Focus Mode		Auto, Push AF
Digital Zoom		12x
PTZ OPTIONS		
Pan Travel		360° Endless
Tilt Travel		-10° ~ 190°
Manual Speed		0.5° ~ 90° / Sec
Presets		256
Preset Accuracy		0.225°
Preset Speed		5° ~ 400° / Sec
Sequence		8
Auto Pan		4
Cruise		8
Proportional Pan / Tilt		On / Off (Pan and tilt speed proportional to zoom ratio)
Home Function		Preset / Sequence / Auto pan / Cruise
Auto Flip		Image / Mechanical / Off
Image Rotation		Flip / Mirror / Inverse
STREAMING OPTIONS		
Compression		H.264
ONVIF Profile		S / G
Stream		H.264 1080P @ 30fps (Shutter WDR Enable) H.264 1080P @ 60fps (Shutter WDR Disable)
Stream 1 Max Resolution and FPS		H.264 1080P @ 60fps (Shutter WDR Disable)
Stream 2 Max When Stream 1 Set Max Resolution and FPS		H.264 D1 @ 60fps (Shutter WDR Disable)
Stream 1 1080P Resolution and Max FPS		H.264 1080P @ 30fps (Shutter WDR Enable)
Stream 2 Max when Stream 1 Set 1080P Resolution and Max FPS		H.264 1080P @ 30fps (Shutter WDR Enable)

OPERATION	
ICR	On / Off
LED Numbers	N/A
LED Distance	N/A
White Balance	Auto / Indoor / Outdoor / ATW / Manual
NR	2D / 3D
BLC	Y
WDR	True WDR (Up to 120 dB)
DIS / EIS	Y
Motion Detection	Y
Privacy Mask Type	16
Tamper Alarm	N/A
Audio Type	Two-way Audio
Audio In	AAC / G.711 / G.726
Audio Out	AAC / G.711 / G.726
Audio Sample Rate	ACC: 48000 / Other: 8000
Analog Out	Y
Heater	Y
Fan	Y
Alarm Input	4 Sets / 5V 10kΩ Pull Up
Alarm Output	2 Sets / Relay output, max. 2A DC 30V / 0.5A AC 125V
Event Notification	HTTP / FTP / SMTP
SD Card Support	microSDXC 64GB Support
Ethernet Connector	RJ-45 Solid
Power Connector	3 Pin Terminal Block
I/O Connector	12 Pin Terminal Block
Protocol	IPv4/v6, TCP/IP, UDP, RTP, RTSP, HTTP, HTTPS, ICMP, FTP, SMTP, DHCP, PPPoE, UPnP, IGMP, SNMP, QoS, ONVIF S, ONVIF G
Security	HTTPS / IP Filter / IEEE 802.1X

ENVIRONMENTAL	
Operating Temperature	-40°C ~ 50°C (-40°F ~ 122°F)
Storage Temperature	-20°C ~ 65°C (-4° ~ 149° F)
Humidity	10% ~ 90%, No Condensation
Vandal Resistant	IK10
IP Rating	IP66

GENERAL	
Power*2	802.3at PoE+ (60W) / AC 24V ± 10%
Power Priority 1	AC
Power Priority 2	PoE
Power Priority 3	N/A
Power Failover	N/A
PoE Classification	Class 0
Power Consumption (Total Unit)	Max: 60W
Dimensions	∅ 171.7 191.9 x 282.1 mm / ∅ .5 x 11.1" (w/Sunshield)
Weight	2.3 kg / 5.11 lb (w/ Sunshield)
Certification	CE / FCC

REPLACEMENT PARTS	
SY-PTZE-CC	Clear bubble and trim ring
SY-PTZE-SC	Smoked bubble and trim ring

NOTE: *1 SY-PTZ30-S-LLZ (Smoked Bubble Option). *2 If multiple power inputs are to be used simultaneously on the camera (such as AC power + PoE or DC power + PoE) all power supplies must be isolated power supplies. If non-isolated power supplies are deployed, they must be used in conjunction with appropriate isolation between each individual camera and the non-isolated power supply.

PRODUCT		Description	Indoor / Internal Only	Outdoor / External ^{*3}
SY-CM-P		Standard Wall/Pendant Mount		✓
SY-CM-MP		Mini Wall / Pendant Mount		✓
SY-CM-T25		25cm Pole	✓	
SY-CM-T50		50cm Pole	✓	
SY-CM-T100		100cm Pole	✓	
SY-CM-15NTP		Synectics to 15NTP Universal adaptor		✓
SY-CM-WMB		Wall Mount Box		✓
SY-CM-CWM		Corner Mount		✓
SY-CM-PMB		Pole Mount Box		✓



*3 Camera and accessories can be used for internal configuration.

The following are required in combination with other accessories for mounting requirements.

PRODUCT	SY-CM-P ^{*4}	SY-CM-MP ^{*4}	SY-CM-T25 ^{*4}	SY-CM-T50 ^{*4}	SY-CM-T100 ^{*4}	SY-CM-15NTP	SY-CM-WMB	SY-CM-CWM	SY-CM-PMB
Wall Mounting	✓	✓					✓	✓	✓
Pole Mounting			✓	✓	✓				
Non-Synectics Bracketry						Required			

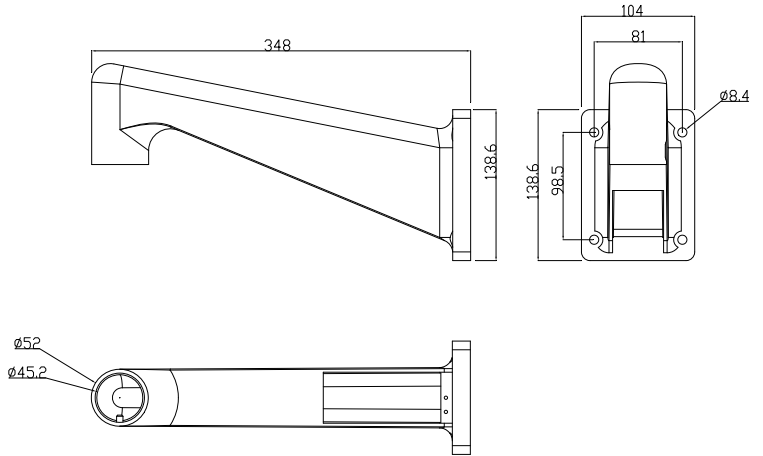
*4 Marked products do not need additional accessories for mounting requirements.

2MP Low Light IP PTZ Dome Cameras Addendum and Diagrams

STANDARD WALL MOUNT — SY-CM-P

Dimensions (L x W x D) 348 x 104 x 138.6 mm / 13.70 x 4.09 x 5.45"

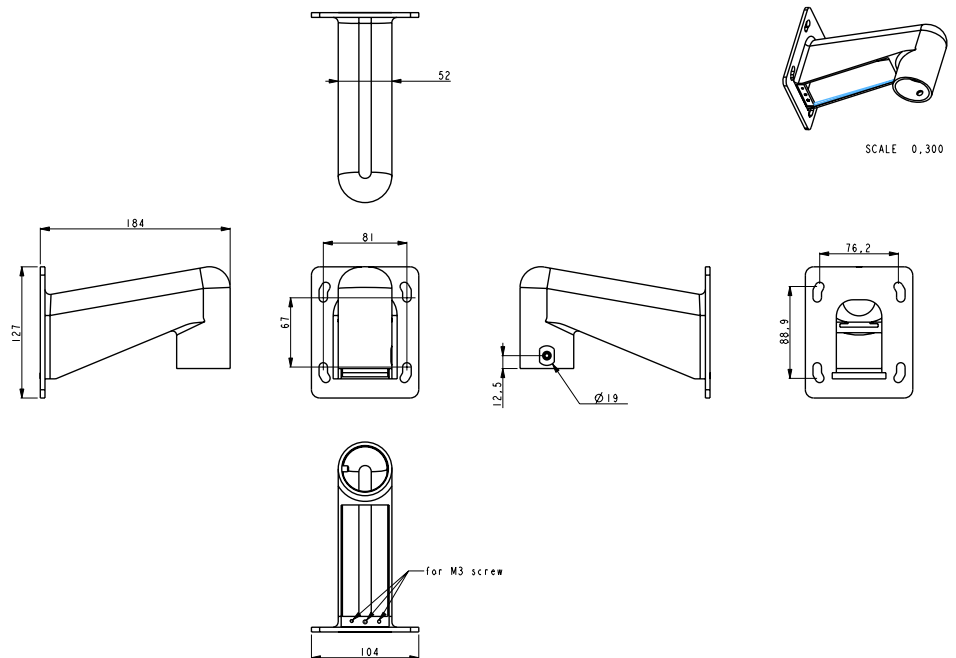
Weight 1.5 kg / 3.3 lbs



MINI WALL MOUNT — SY-CM-MP

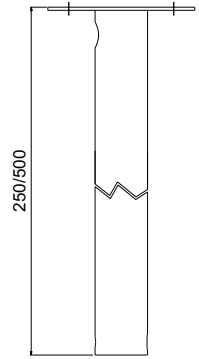
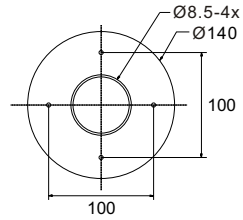
Dimensions (L x W x D) 184 x 104 x 127 mm / 7.24" x 4.09 x 5"

Weight 0.6 kg / 1.32 lbs



STRAIGHTTUBE — SY-CM-T25 / T50 / T100

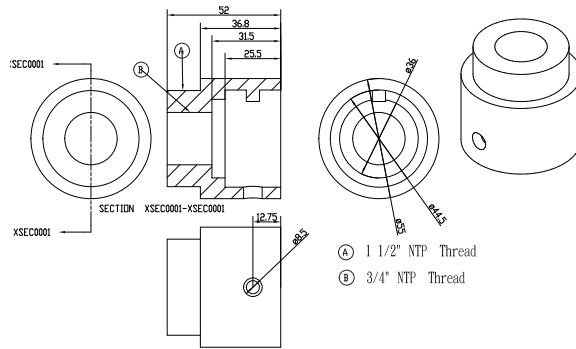
Height	250 mm / 9.8 " 500 mm / 19.7 " 1000 mm / 39.37 "
Diameter	50 mm / 2 "
Weight	1.0 kg (2.2 lbs) / 1.8 kg (4.0 lbs)



Unit: mm

1.5" NPT MOUNT ADAPTOR COMPATIBLE WITH PELCO CAMERA POLES — SY-CM-15NPT

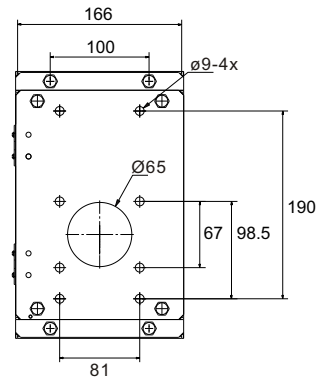
Dimensions	Φ55 x 52 mm / 2.16 x 2.04 "
------------	-----------------------------



WALL BOX — SY-CM-WMB

Dimensions (L x W x D) 270 x 166 x 95 mm / 10.62 x 6.53 x 3.74"

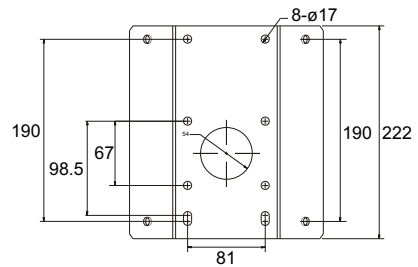
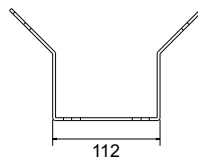
Weight 2.2 kg / 4.9 lbs



CORNER MOUNT — SY-CM-CWM

Dimensions (L x W x D) 222 x 204 x 117 mm / 8.74 x 8.03 x 4.60"

Weight 2.0 kg / 4.4 lbs



POLE MOUNT — SY-CM-PMB

Dimensions (L x W x D) 270 x 166 x 155 mm / 10.62 x 6.53 x 6.10"

Weight 3.2 kg / 7.1 lbs

